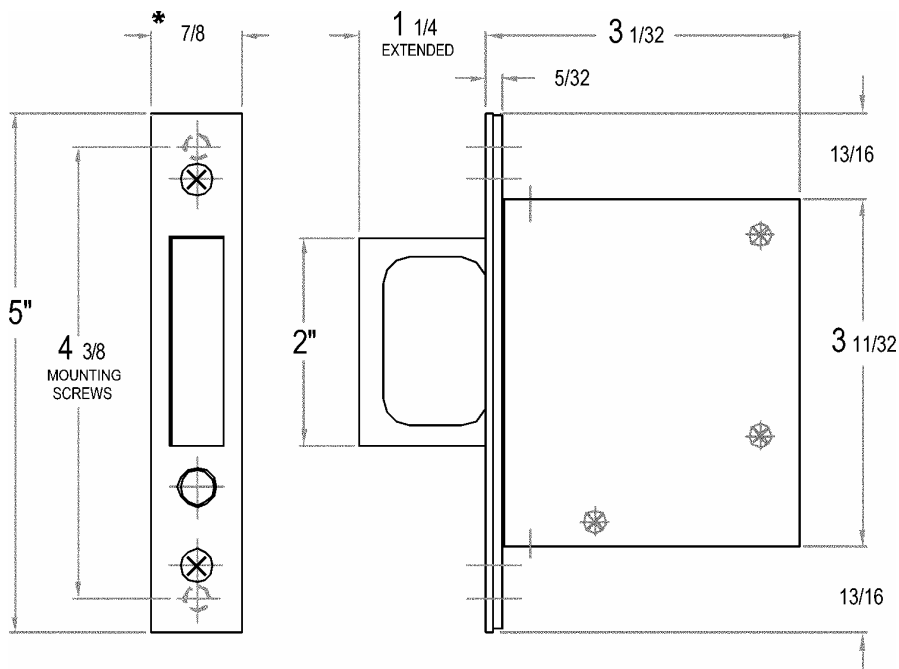


2000 Pocket Door Pull I



Push button pressed
Projects pull I (as shown)

Various types of trim available
upon request



* - 1" WIDE FRONT AVAILABLE
UPON REQUEST

CASE: Heavy Gauge
Wrought
(11/16 thick)

PULL: - 1/2 Thick
- 1 1/4 Throw

FINISH: As required